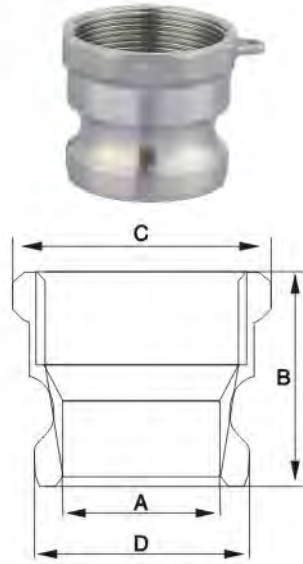




快装接头Quick connector

A型：一边是卡在母头里的接头，一边是内螺纹的连接丝口

Type A: one side is stuck in the mother, head of the joint part is the internal thread connecting wire



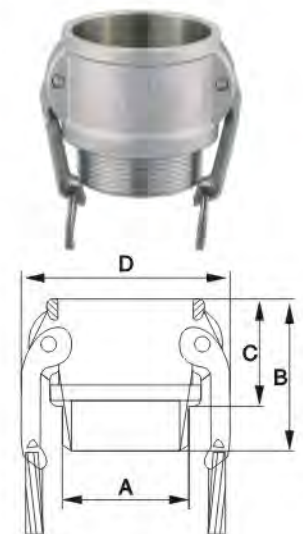
快速接头A型
Quick Joint Type A

主要外形尺寸 Main outer size

SIZE	DIM	A	B	C	D
15	1/2	14.5	36	26	24
20	3/4	21	39.5	31	31.3
25	1	24	45.5	39	26.3
32	1 ^{1/4}	30	54	48	45.3
40	1 ^{1/2}	38	55	54	53
50	2	47	60	66	63
65	1/2	59	72	82	75.3
80	3	76	69	95	91.3
100	4	102	72	122	119
125	5	127	72	150	145
150	6	154	72	178	175

B型：一边是带两个拉耳卡公头的凹槽，一边是外螺纹的丝口

Type B: on one side is to take two male head of grooves and silk mouth on one side is male



快速接头B型
Quick Joint Type B

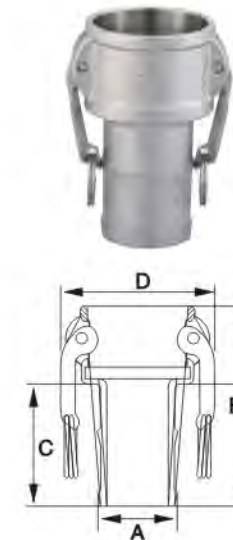
主要外形尺寸 Main outer size

SIZE	DIM	A	B	C	D
15	1/2	20.9	45	29	42
20	3/4	26.4	50	34	52
25	1	33.2	58	39	58
32	1 ^{1/4}	41.9	66	45	72
40	1 ^{1/2}	47.8	66	45	78
50	2	59.6	72	51	93
65	1/2	75.2	79	52	107
80	3	87.9	85	55	130
100	4	113	87	57	158
125	5	138.4	91	58	188
150	6	163.8	94	58	225

快装接头Quick connector

C型：一边是带两个拉耳卡公头的凹槽，一边是有竹节状的软管接头

Type C: one side is to take two male head of groove and one side is a bamboo-like hose connection



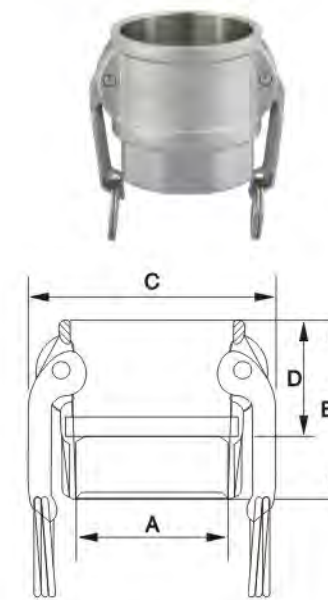
快速接头C型
Quick Joint Type C

主要外形尺寸 Main outer size

SIZE	DIM	A	B	C	D
15	1/2	14	65	36	42
20	3/4	20	82	48	52
25	1	25	96	57	58
32	1 ^{1/4}	32	110	65	72
40	1 ^{1/2}	38	115	70	78
50	2	51	126	75	93
65	1/2	65	134	82	107
80	3	76	148	93	130
100	4	102	154	97	158
125	5	128	169	111	188
150	6	154	196	139	225

D型：一边是带两个拉耳卡公头的凹槽，一边是有内螺纹连接的丝口

Type D: one side is to take two male head of groove and one side is a female connection wire



快速接头D型
Quick Joint Type D

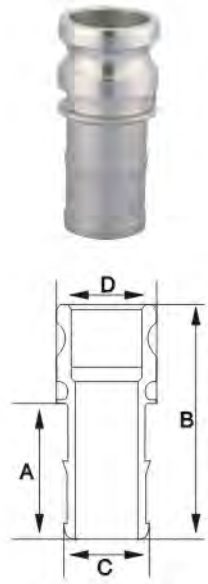
主要外形尺寸 Main outer size

SIZE	DIM	A	B	C	D
15	1/2	18.6	44	42	29
20	3/4	24.1	49	52	34
25	1	30.3	59	58	39
32	1 ^{1/4}	38.9	64	72	45
40	1 ^{1/2}	44.8	66	78	45
50	2	56.6	74	93	51
65	1/2	72.2	79	107	52
80	3	85	83	130	55
100	4	110	89	158	57
125	5	135.4	91	188	58
150	6	161	93	225	58

快装接头Quick connector

E型：一边是卡在母头里的接头，一边是带有竹节状的软管接头

Type E: one side is stuck in the mother, the head of the joint on one side is with bamboo-like hose connection



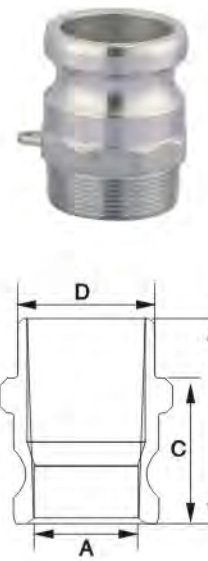
快速接头E型
Quick Joint Type E

主要外形尺寸 Main outer size

SIZE	DIM	A	B	C	D
15	1/2	36	73	14	24
20	3/4	48	86	20	31.3
25	1	57	101	25	26.3
32	1 1/4	64	116	32	45.3
40	1 1/2	70	125	38	53
50	2	76	137	51	67
65	1 1/2	80	144	65	75.3
80	3	92	158	76	91.3
100	4	98	165	102	119
125	5	111	183	128	145
150	6	139	212	154	175

F型：一边是卡在母头里的接头，一边是带有外螺纹连接的丝扣

Type F: one side is stuck in the mother's head joint, one side is the hose connection with external thread connection



快速接头F型
Quick Joint Type F

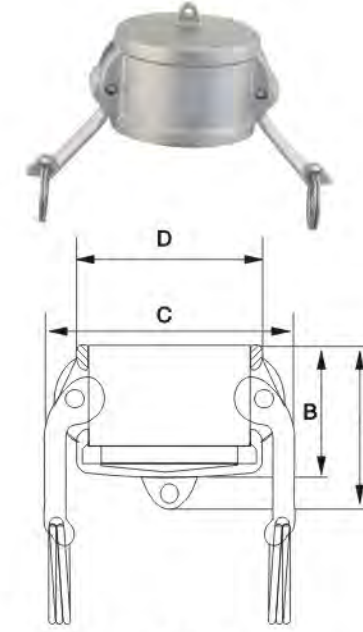
主要外形尺寸 Main outer size

SIZE	DIM	A	B	C	D
15	1/2	14.5	51	36	20.9
20	3/4	21	53	39.5	26.4
25	1	24	63	45.5	33.2
32	1 1/4	30	72	54	41.9
40	1 1/2	38	74	55	47.8
50	2	47	80	60	59.6
65	1 1/2	59	89	72	75.2
80	3	76	96	69	87.9
100	4	102	102	72	113
125	5	127	104	72	138.4
150	6	154	108	72	163.8

快装接头Quick connector

DC型：是带两个拉耳可以，卡进公头圆形堵头

DC: is two ears can card brought into male head round plug



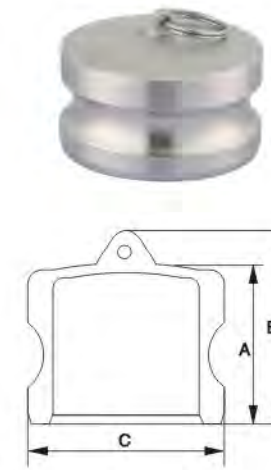
快速接头DC型
Quick Joint Type DC

主要外形尺寸 Main outer size

SIZE	DIM	A	B	C	D
15	1/2	38	30	42	32
20	3/4	44	35	52	39
25	1	49	40	58	44
32	1 1/4	57	47	72	55
40	1 1/2	59	48	78	63
50	2	65	57	93	74
65	1 1/2	70	58	107	87
80	3	71	59	130	105
100	4	72	60	158	132
125	5	73	62	188	161
150	6	77	62	225	191

DP型：是一个圆型堵头，也叫快装堵头

DP model: is a circular plug, also called the quick plug

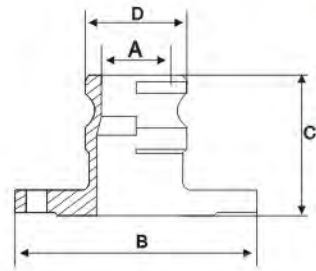


快速接头DP型
Quick Joint Type DP

主要外形尺寸 Main outer size

SIZE	DIM	A	B	C
15	1/2	28	36	24
20	3/4	31	39	31.3
25	1	35	45	26.3
32	1 1/4	42	52	45.3
40	1 1/2	45	55	53
50	2	51	63	63
65	1 1/2	53	64	75.3
80	3	56	68	91.3
100	4	58	73	119
125	5	67	80	145
150	6	67	80	175

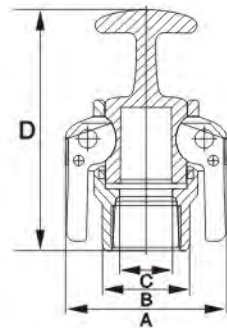
快装接头 Quick connector



带法兰阳端快速接头
A type with flange

主要外形尺寸 Main outer size

SIZE	DIM	A	B	C	D
15	1/2	14.5	36	26	24
20	3/4	21	39.5	31	31.3
25	1	24	45.5	39	26.3
32	1 ^{1/4}	30	54	48	45.3
40	1 ^{1/2}	38	55	54	53
50	2	47	60	66	63
65	1/2	59	72	82	75.3
80	3	76	69	95	91.3
100	4	102	72	122	119
125	5	127	72	150	145
150	6	154	72	178	175

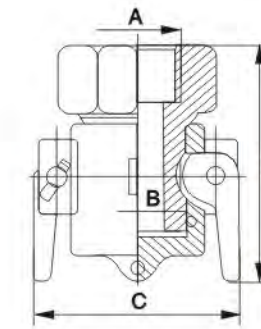


快速接头KJB型
Quick Joint Type KJB

快速接头KJB型 主要外形尺寸 Main outer size

SIZE	DIM	A	B	C	D
25	1	74	38	30.3	105
50	2	104	67	56.6	134

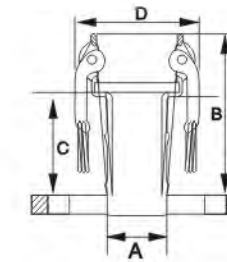
快装接头 Quick connector



快速接头KJA型
Quick Joint Type KJA

快速接头KJA型 主要外形尺寸 Main outer size

SIZE	DIM	A	B	C	D
25	1	30.3	38	80	74
50	2	56.6	65	91	104



带法兰阴端快速接头
C type with flange

主要外形尺寸 Main outer size

SIZE	DIM	A	B	C	D
15	1/2	14	65	36	42
20	3/4	20	82	48	52
25	1	25	96	57	58
32	1 ^{1/4}	32	110	65	72
40	1 ^{1/2}	38	115	70	78
50	2	51	126	75	93
65	1/2	65	134	82	107
80	3	76	148	93	130
100	4	102	154	97	158
125	5	128	169	111	188
150	6	154	196	139	225